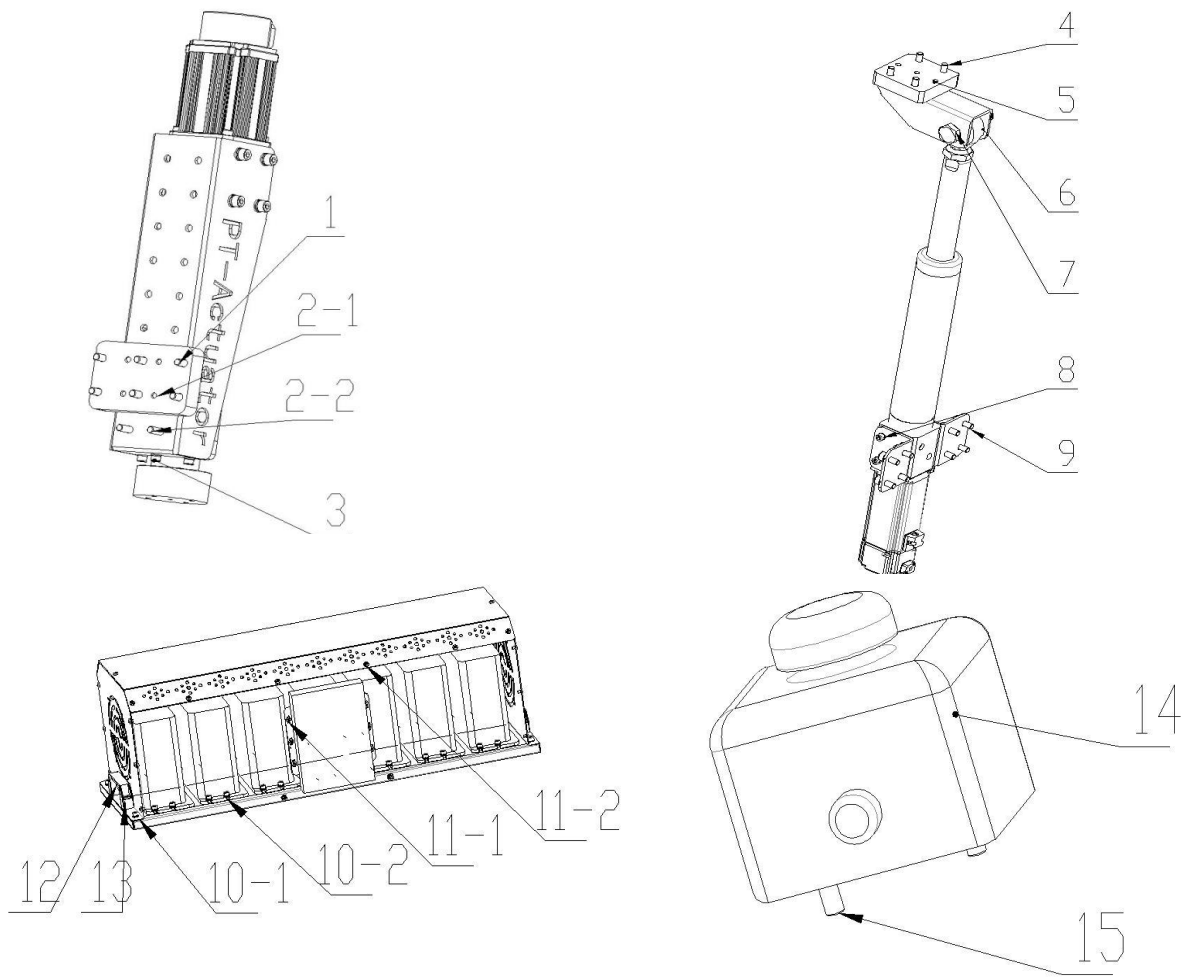


### Profile Kit

No.	Name	Specification	Note	QTY
1	40*80L	500mm	Black	3
2	40*80L	mm-with threaded h	Black	2
3	40*80L	1400mm	Black	2

### Upper Platform Kit

No.	Name	Specification	Note	QTY
4	Sliding rail	HGH20		2
5	Slider	HGH20CA		8
6	Bracket for slider		With POM plate & shock mount spacer	8
7	U Bracket	359*97*87mm		4
8	Bracket for surge			2
9	Matel plate for U bracket	125*80*20mm		4
10	Bracket of fish-eye for surge			1
11	Matel plate of fish-eye for surge	82*80*20mm		1
12	block for Sliding rail	HGH20CA		4
13	Connector bracket	80*80mm		4
14	Connector bracket	40*80mm		4
15	End cap for profile	40*80mm	Black	4
16	Hexagon socket bolt	M8*16	with spring washer & flat washer	32
17	Flat head hexagon socket bolt	M5*10		32
18	Round head hexagon socket bolt	M8*25	with spring washer & flat washer & nuts of profile	16
19	rapezoidal bolt for Connector brack	M8*20	With check nut	48
20	Hexagon socket bolt	M5*20	with spring washer & nuts of profile	46



### Other parts

No.	Name	Specification	Note	QTY
1	Hexagon socket bolt	M8*20	with spring washer & flat washer & nuts of profile	24
2	Hexagon socket bolt	M8*25	with spring washer & flat washer	24
3	Hexagon socket bolt	M6*12	with spring washer	12
4	Hexagon socket bolt	M8*20	with spring washer & nuts of profile	4
5	Hexagon socket bolt	M8*25	with spring washer & flat washer	3
6	Hexagon socket bolt	M6*16	with spring washer	8
7	Hexagon socket bolt	M8*20	with spring washer & flat washer & nuts of profile	8
8	Round head hexagon socket bolt	M8*16	with spring washer	4
9	Customized bolt	Φ10-6-M8		1
10	Rotating aluminum plate			1
11				
12	Hexagon socket bolt	M5*12	with spring washer & flat washer & nuts of profile	32
13	Cross round head	M4*6		32
14	Emergency stop			1
15	Hexagon socket bolt	M6*16	with spring washer & flat washer & nuts of profile	2