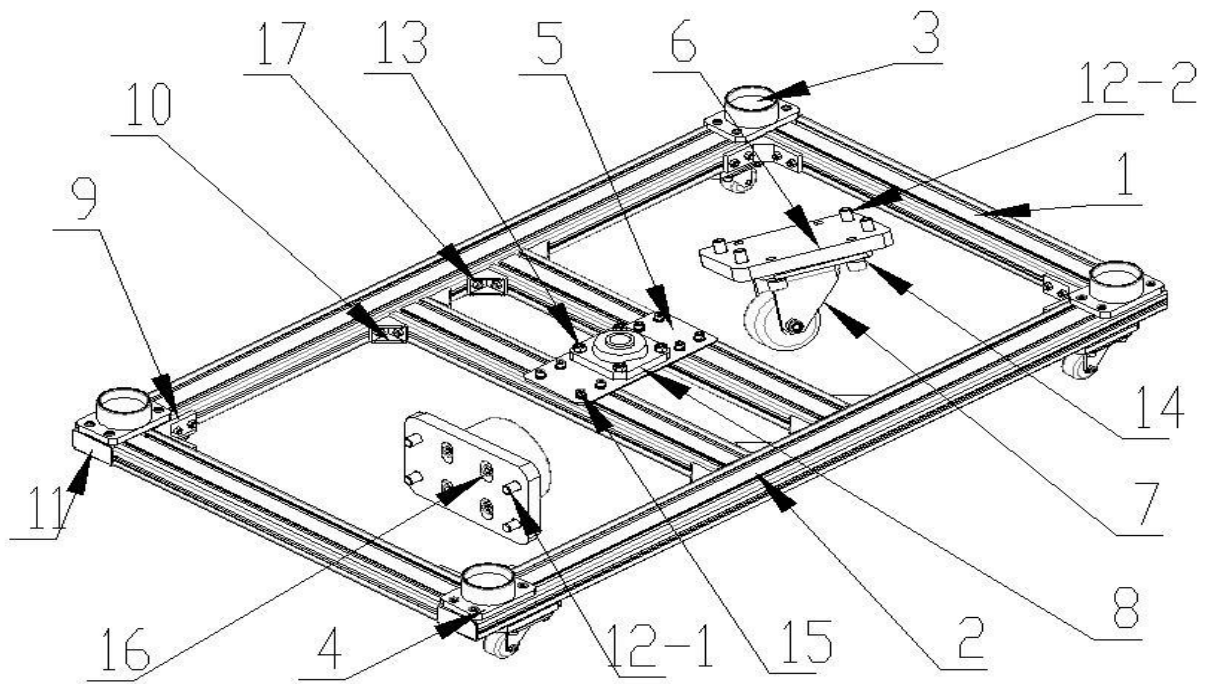


Profile Kit

No.	Name	Specification	Note	QTY
1	40*80L	820mm	Black	4
2	40*80L	1400mm	Black	2
3	40*40L	200mm	Black	4

Below Platform Kit

No.	Name	Specification	Note	QTY
4	Bearing	SCS 25UU		2
5	Holder	SH 25A		4
6	Piston	Φ25mm		2
7	Bracket for TL			2
8	Bracket of fish-eye for TL			2
9	Wheel support bracket	280*280*4mm		4
10	Plate for Bearing	160*125*15mm		1
11	Rod	Φ100-Φ35mm		1
12	Connector bracket	40*80mm		4
13	Connector bracket	40*40mm		24
14	End cap for profile	40*80mm	Black	4
15	Round head hexagon socket bolt	M8*16	with nuts of profile	16
16	Hexagon socket bolt	M8*25	with spring washer & flat washer	4
17	Hexagon socket bolt	M8*25	with spring washer	8
18	Hexagon socket bolt	M6*25	with spring washer & flat washer & nuts of profile	8
19	Trapezoidal bolt for Connector bracket	M8*20	With check nut	64

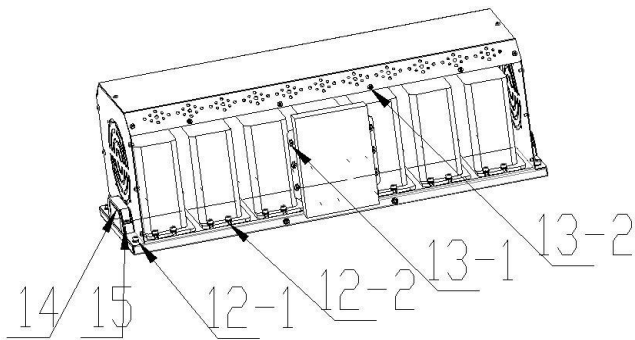
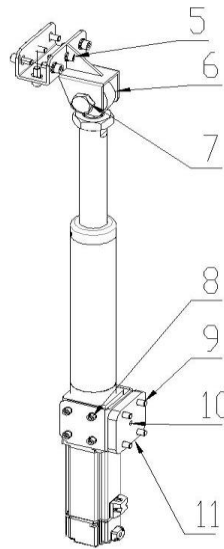
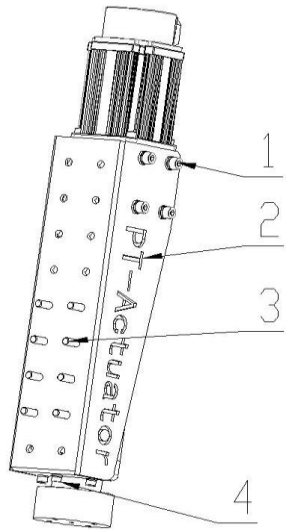


Profile Kit

No.	Name	Specification	Note	QTY
1	40*80L	660mm	Black	4
2	40*80L	1400mm	Black	2

Middle Platform Kit

No.	Name	Specification	Note	QTY
3	Cups	Φ78*35-depth18mm		4
4	Matel plate for cups	125*80*12mm		4
5	Upper bracket for rod	280*125*4mm		1
6	Matel plate for wheels	125*80*12mm		4
7	2" wheels	mounting height 79mm		4
8	Bearing	UCF206		1
9	Connector bracket	40*80mm		4
10	Connector bracket	40*40mm		8
11	End cap for profile	40*80mm	Black	4
12	Hexagon socket bolt	M8*16	with spring washer & nuts of profile	32
13	Hexagon socket bolt	M10*35	with nuts & spring washer & flat washer	4
14	Hexagon socket bolt	M8*16	with spring washer & flat washer	16
15	Hexagon socket bolt	M8*20	with spring washer & flat washer & nuts of profile	8
16	Hexagon socket bolt	M6*16	with spring washer	16
17	Trapezoidal bolt for Connector bracket	M8*20	With check nut	32



Other parts

No.	Name	Specification	Note	QTY
1	Hexagon socket bolt	M8*16	with spring washer & flat washer	32
2	U Bracket			4
3	Hexagon socket bolt	M8*20	with spring washer & flat washer & nuts of profile	32
4	Hexagon socket bolt	M6*12	with spring washer	12
5	Hexagon socket bolt	M8*20	with spring washer & flat washer & nuts of profile	14
6	Rubber washer			4
7	Outer hexagon bolt	M16*70	with spring washer & flat washer & check nuts	2
8	Hexagon socket bolt	M6*16	with spring washer	16
9	Round head hexagon socket bolt	M8*16	with spring washer	8
10	Customized bolt	Φ10-6-M8		2
11	Rotating aluminum plate			2
12	Hexagon socket bolt	M5*12	with spring washer & flat washer & nuts of profile	36
13	Cross round head	M4*6		32
14	Handle			2
15	Hexagon socket bolt	M6*16	with spring washer	4

