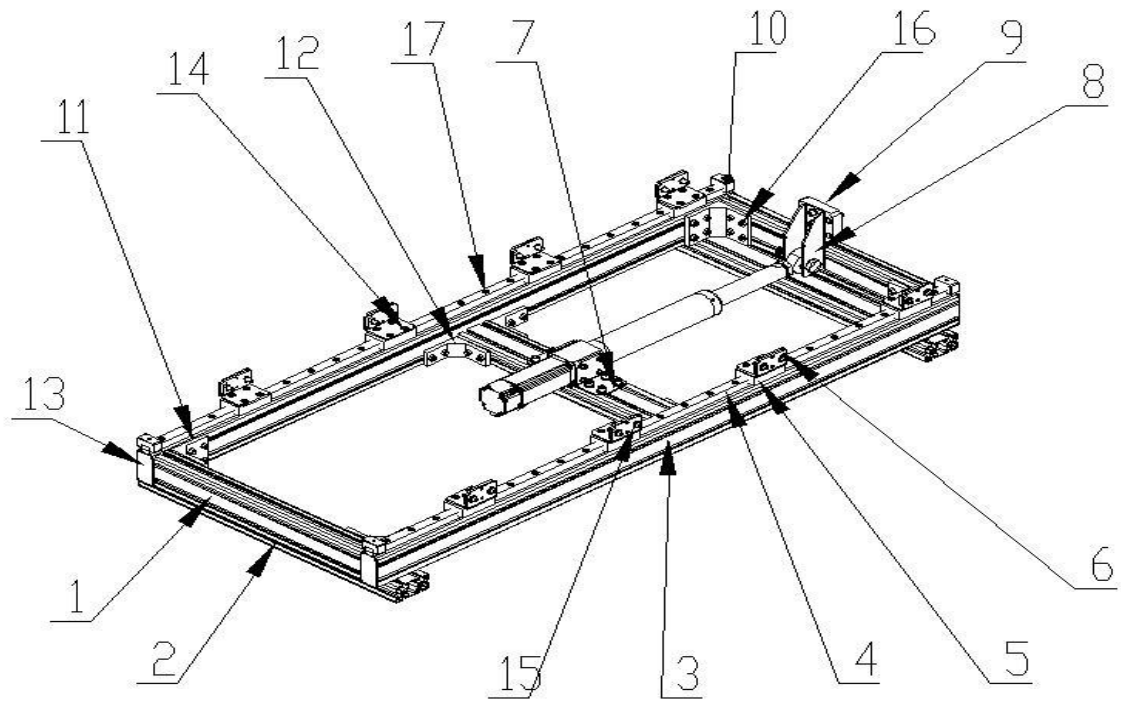


Profile Kit

No.	Name	Specification	Note	QTY
1	40*80L	660mm	Black	4
2	40*80L	1400mm	Black	2

Middle Platform Kit

No.	Name	Specification	Note	QTY
3	Cups	Φ78*35-depth18mm		4
4	Matel plate for cups	125*80*12mm		4
5	Upper bracket for rod	280*125*4mm		1
6	Matel plate for wheels	125*80*12mm		4
7	2" wheels	mounting height 79mm		4
8	Bearing	UCF206		1
9	Connector bracket	40*80mm		4
10	Connector bracket	40*40mm		8
11	End cap for profile	40*80mm	Black	4
12	Hexagon socket bolt	M8*16	with spring washer & nuts of profile	32
13	Hexagon socket bolt	M10*35	with nuts & spring washer & flat washer	4
14	Hexagon socket bolt	M8*16	with spring washer & flat washer	16
15	Hexagon socket bolt	M8*20	with spring washer & flat washer & nuts of profile	8
16	Hexagon socket bolt	M6*16	with spring washer	16
17	Trapezoidal bolt for Connector bracket	M8*20	With check nut	32

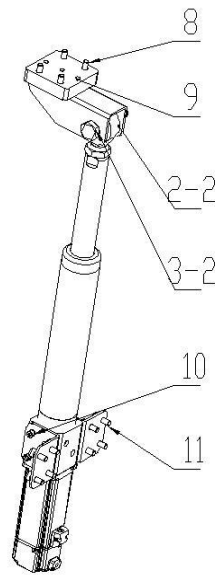
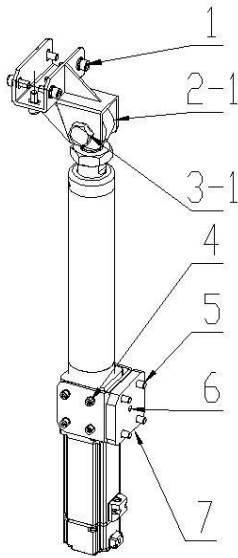


Profile Kit

No.	Name	Specification	Note	QTY
1	40*80L	500mm	Black	3
2	40*80L	620mm-with threaded holes	Black	2
3	40*80L	1400mm	Black	2

Upper Platform Kit

No.	Name	Specification	Note	QTY
4	Sliding rail	HGH20		2
5	Slider	HGH20CA		8
6	Bracket for slider		With POM plate & shock mount spacer	8
7	Bracket for surge			2
8	Bracket of fish-eye for surge			1
9	Matel plate of fish-eye for surge	82*80*20mm		1
10	block for Sliding rail	HGH20CA		4
11	Connector bracket	80*80mm		4
12	Connector bracket	40*80mm		4
13	End cap for profile	40*80mm	Black	4
14	Flat head hexagon socket bolt	M5*10		32
15	Round head hexagon socket bolt	M8*25	with spring washer & flat washer & nuts of profile	16
16	apezoidal bolt for Connector brack	M8*20	With check nut	48
17	Hexagon socket bolt	M5*20	with spring washer & nuts of profile	46



her parts

No.	Name	Specification	Note	QTY
1	Hexagon socket bolt	M8*20	with spring washer & flat washer & nuts of profile	14
2	Rubber washer			6
3	Outer hexagon bolt	M16*70	with spring washer & flat washer & check nuts	3
4	Hexagon socket bolt	M6*16	with spring washer	16
5	Round head hexagon socket bolt	M8*16	with spring washer&nuts of profile	8
6	Customized bolt	Φ10-6-M8		2
7	Rotating aluminum plate			2
8	Hexagon socket bolt	M8*20	with spring washer & nuts of profile	4
9	Hexagon socket bolt	M8*25	with spring washer & flat washer	3
10	Hexagon socket bolt	M6*16	with spring washer	8
11	Hexagon socket bolt	M8*20	with spring washer & flat washer & nuts of profile	8

