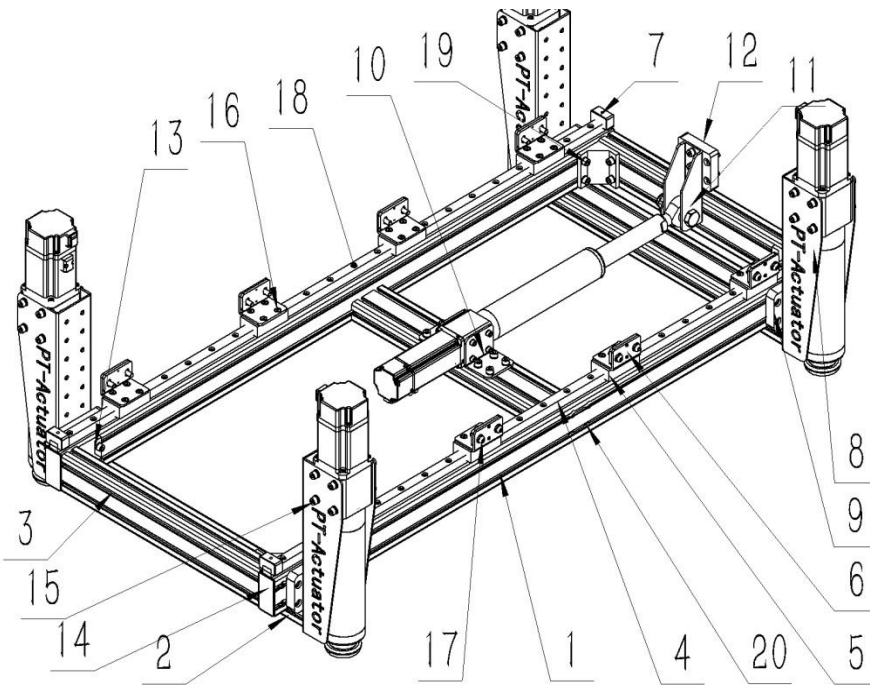


### Profile Kit

No.	Name	Specification	Note	QTY
1	40*40L	1400mm	Black	2
2	40*40L	760mm	Black-with threaded holes	2
3	40*40L	920mm	Black-with threaded holes	2
4	40*80L	920mm	Black-with threaded holes	2

### Below Platform Kit

No.	Name	Specification	Note	QTY
5	Bearing	SCS 25UU		2
6	Holder	340mm-Φ25mm		2
7	Piston	SH 25A		4
8	Plate for Bearing	160*125*15mm		1
9	Rod	Φ100-Φ35mm		1
10	Bracket of fish-eye for TL			2
11	Bracket for TL			2
12	Wheel support bracket	280*280*4mm		4
13	End cap for profile	40*40mm	Black	4
14	Round head hexagon socket bolt	M8*16	with nuts of profile	16
15	Hexagon socket bolt	M8*20	with spring washer	12
16	Hexagon socket bolt	M6*25	with spring washer &nuts of profile	8
17	Hexagon socket bolt	M8*45	with spring washer	12
18	Hexagon socket bolt	M8*85	with spring washer	4

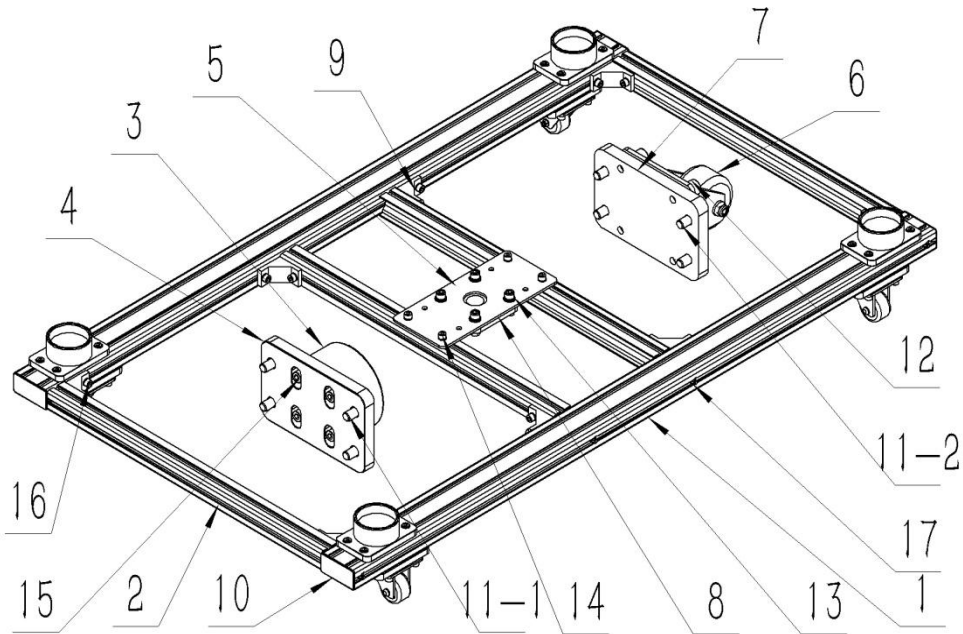


### Profile Kit

No.	Name	Specification	Note	QTY
1	40*80L	1400mm	Black	2
2	40*80L	620mm	Black-with threaded holes	2
3	40*80L	500mm	Black-with threaded holes	3

### Upper Platform Kit

No.	Name	Specification	Note	QTY
4	Sliding rail	HGH20		2
5	Slider	HGH20CA		8
6	Bracket for slider		With POM plate & shock mount spacer	8
7	block for Sliding rail	HGH20CA		4
8	U Bracket	359*97*87mm		4
9	Matel plate for U bracket	125*80*20mm		4
10	Bracket for surge			2
11	Bracket of fish-eye for surge			1
12	Matel plate of fish-eye for surge	82*80*20mm		1
13	Connector bracket	40*80mm		4
14	End cap for profile	40*80mm	Black	4
15	Hexagon socket bolt	M8*16	with spring washer	32
16	Flat head hexagon socket bolt	M5*10		32
17	Round head hexagon socket bolt	M8*25	with spring washer & flat washer & nuts of profile	16
18	Hexagon socket bolt	M5*20	with spring washer & nuts of profile	24
19	Hexagon socket bolt	M8*20	with spring washer & nuts of profile	16
20	Hexagon socket bolt	M8*85	with spring washer	12

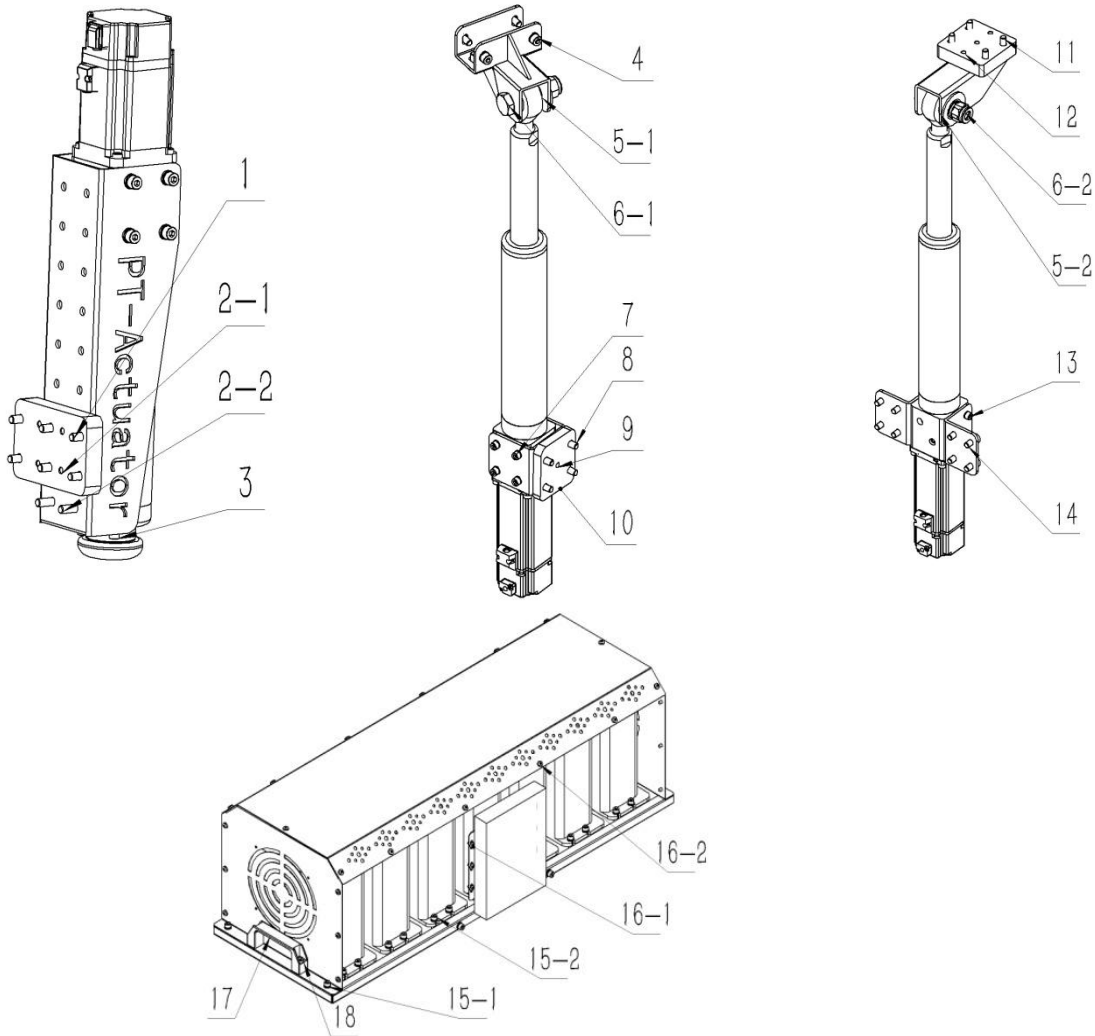


### Profile Kit

No.	Name	Specification	Note	QTY
1	40*80L	1400mm	Black	2
2	40*40L	660mm	Black-with threaded holes	4

### Middle Platform Kit

No.	Name	Specification	Note	QTY
3	Cups	Φ78*35-depth18mm		4
4	Matel plate for cups	125*80*12mm		4
5	Upper bracket for rod	280*125*4mm		1
6	2" wheels	mounting height 79mm		4
7	Matel plate for wheels	125*80*12mm		4
8	Bearing	UCF206		1
9	Connector bracket	40*40mm		8
10	End cap for profile	40*80mm	Black	4
11	Hexagon socket bolt	M8*16	with spring washer & nuts of profile	32
12	Hexagon socket bolt	M8*16	with spring washer	16
13	Hexagon socket bolt	M10*35	with nuts & spring washer& flat washer	4
14	Hexagon socket bolt	M8*16	with spring washer &nuts of profile	4
15	Hexagon socket bolt	M6*16	with spring washer	16
16	Hexagon socket bolt	M8*20	with spring washer &nuts of profile	16
17	Hexagon socket bolt	M8*85	with spring washer	8



### Other parts

No.	Name	Specification	Note	QTY
1	Hexagon socket bolt	M8*20	with spring washer & nuts of profile	24
2	Hexagon socket bolt	M8*25	with spring washer	24
3	Hexagon socket bolt	M6*12	with spring washer	12
4	Hexagon socket bolt	M8*20	with spring washer & flat washer & nuts of profile	14
5	Rubber washer			6
6	Outer hexagon bolt	M16*70	with spring washer & flat washer & check nuts	3
7	Hexagon socket bolt	M6*16	with spring washer	16
8	Round head hexagon socket bolt	M8*16	with spring washer&nuts of profile	8
9	Customized bolt	Φ10-6-M8		2
10	Rotating aluminum plate			2
11	Hexagon socket bolt	M8*20	with spring washer & nuts of profile	4
12	Hexagon socket bolt	M8*20	with spring washer	3
13	Hexagon socket bolt	M6*16	with spring washer	8
14	Hexagon socket bolt	M8*16	with spring washer &nuts of profile	8
15	Hexagon socket bolt	M5*12	with spring washer & flat washer	36
16	Cross round head	M4*6		32
17	Handle			2
18	Hexagon socket bolt	M16*16	with spring washer	4

