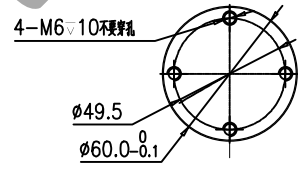
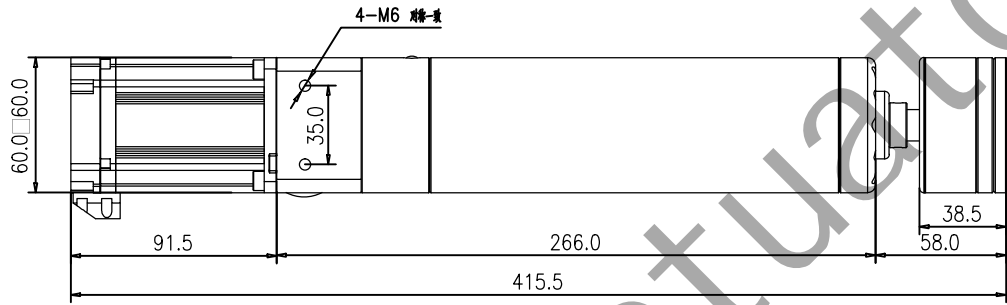
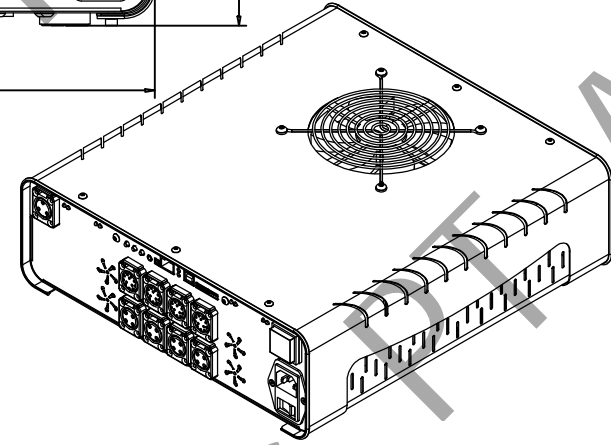
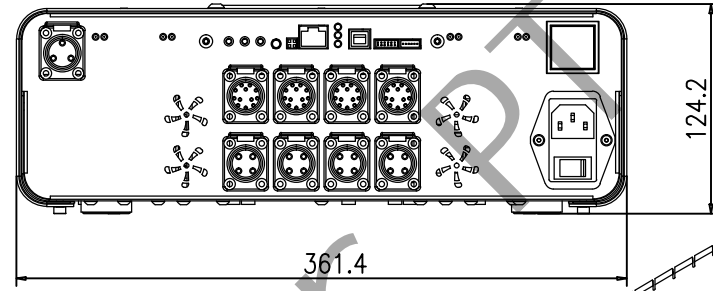


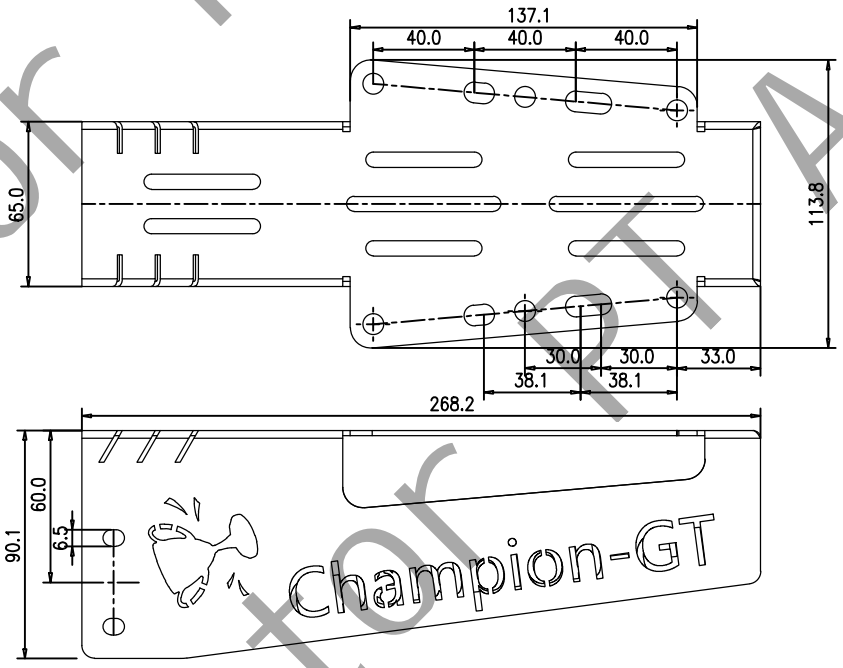
# PT ACTUATOR



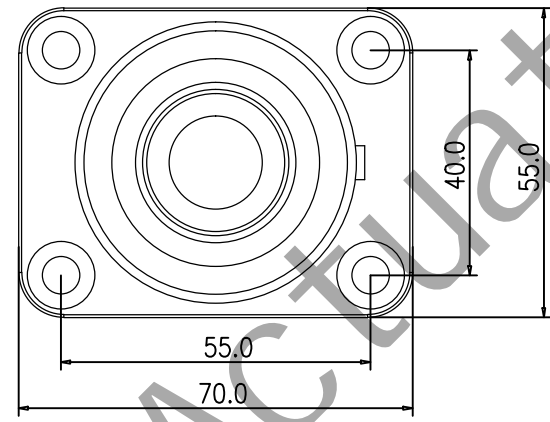
Champion-GT



383\*361.4\*124.2 (MM)



Support spacing 30MM&40MM&1.5IN Profile



70\*55\*58.5 (MM)

