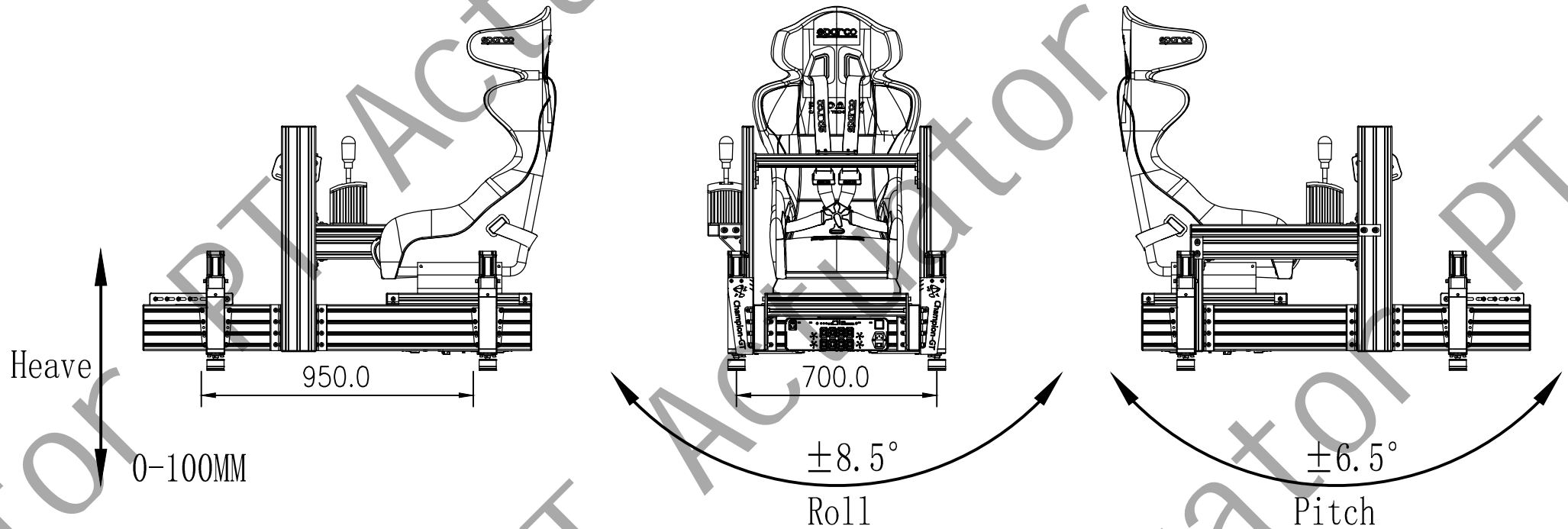


# PT ACTUATOR



## Specification.

Heave (disp/vel) 0-100 mm, 250 mm/s

Pitch (disp/vel)  $\pm 6.5^\circ$  ,  $\pm 16^\circ$  /s

Roll (disp/vel)  $\pm 8.5^\circ$  ,  $\pm 25^\circ$  /s

Payload max 320 Kg (110V-230V)

Champion-GT System Net Weight 32 kg / 70 lbs