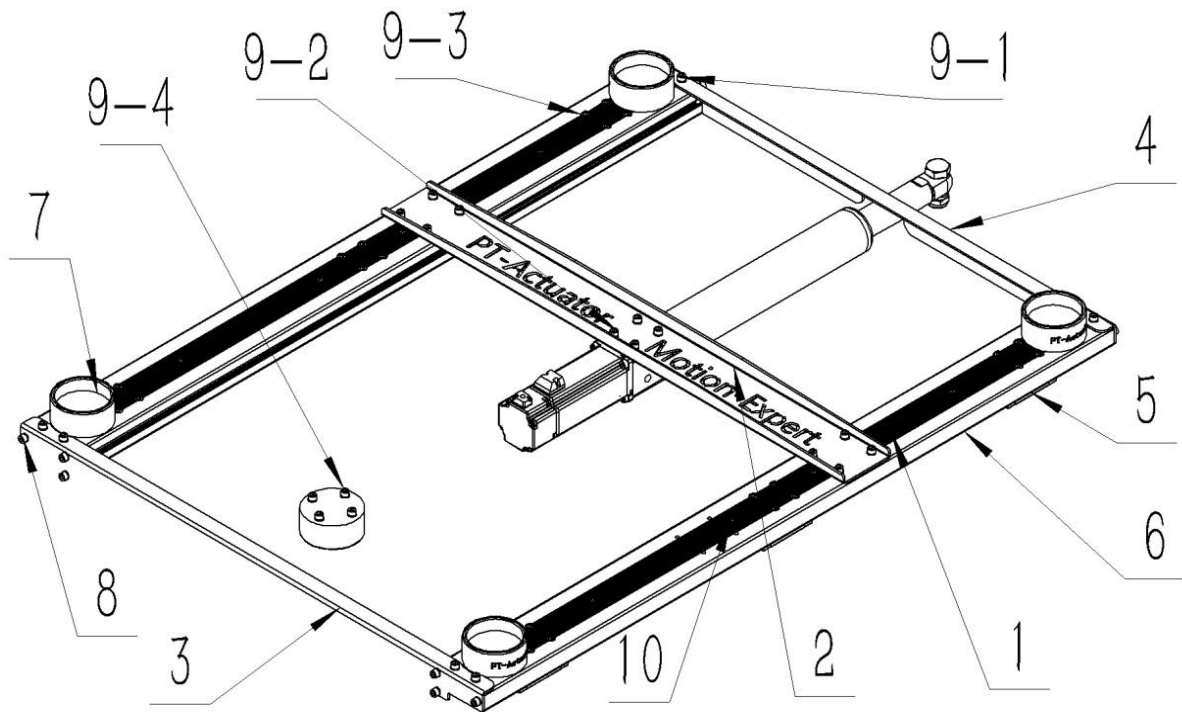


Profile Kit				
No.	Name	Specification	Note	QTY
1	40*40L	1520mm	Black	2
2	40*40L	1040mm	Black- With Thread	2
3	40*80L	1040mm	Black- With Thread	2
4	40*40L	260mm	Black- With Thread	2
Below Platform Kit				
No.	Name	Specification	Note	QTY
5	Bearing	SCS 25UU		2
6	Piston	360mm-Φ25mm		2
7	Holder	260*24.5*15mm		2
8	Bearing	UCF204		1
9	Plate for Bearing	244*100*8mm		1
10	Matel plate	86*86*18mm		1
11	Bracket for TL			2
12	Wheel support bracket	710*400*2mm		4
13	Corner Connector	80*80*40mm	Black	4
14	Flat head hexagon socket bolt	M6*16	With nuts of profile	28
15	Hexagon socket bolt	M10*40	With spring washer	4
16	Hexagon socket bolt	M6*25	With spring washer	4
17	Hexagon socket bolt	M6*40	With spring washer&CapΦ14	6
18	Hexagon socket bolt	M8*45	With spring washer	4
19	Hexagon socket bolt	M8*85	With spring washer&CapΦ18	4
20	Flat head hexagon socket bolt	M8*20		8
21	Round head hexagon socket bolt	M8*20	With spring washer	16

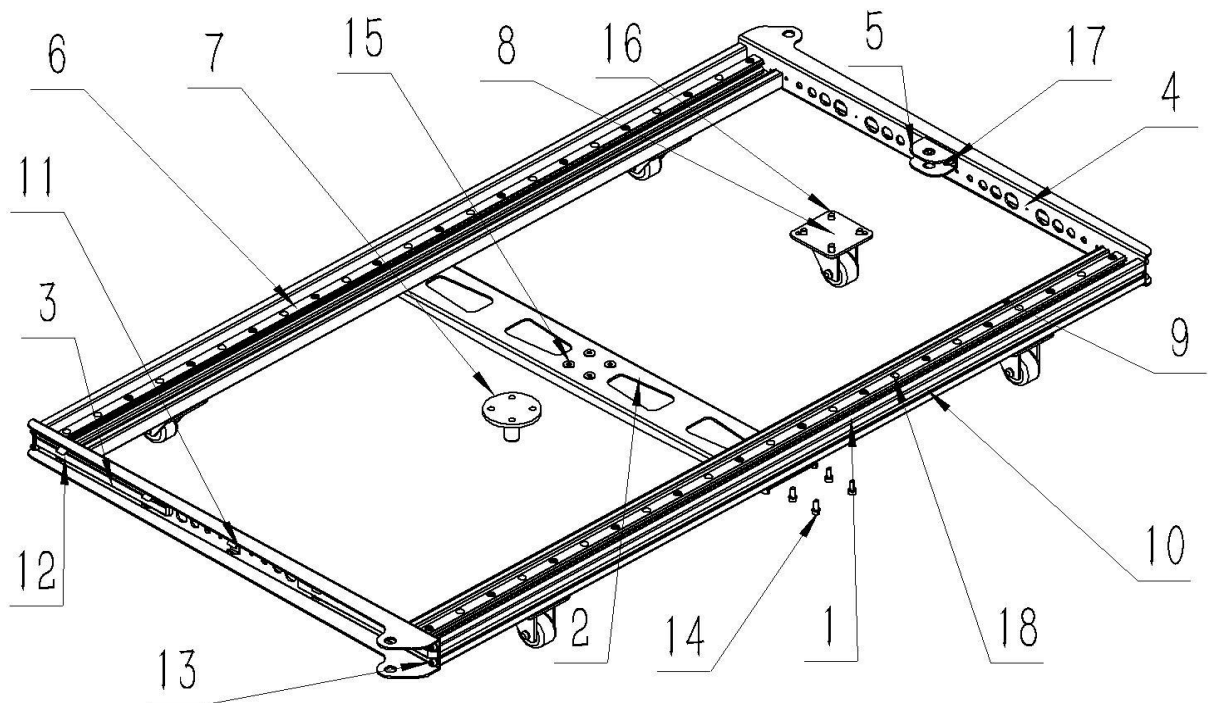


Profile Kit

No.	Name	Specification	Note	QTY
1	Customized Profile	1070mm	Black	2

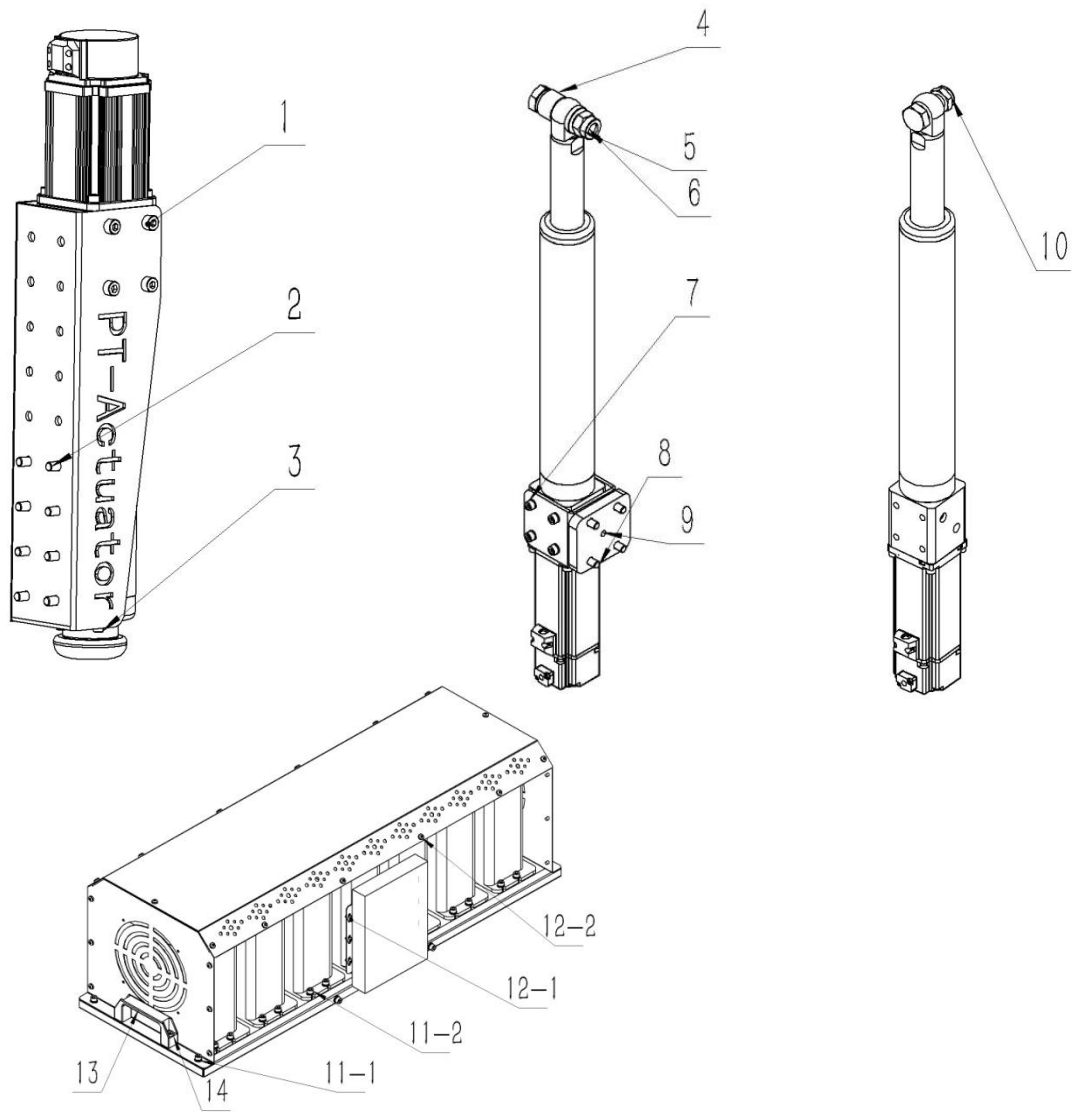
Upper Platform Kit

No.	Name	Specification	Note	QTY
2	Middle Braket	Width -785mm		1
3	Rear Braket	Width -785mm		1
4	Front Braket	Width -785mm		1
5	Slider	HGH25CA		6
6	Dust Seal	9-5mm		2
7	Cups	Φ78*35-depth18mm		4
8	Hexagon socket bolt	M6*25	With spring washer	12
9	Hexagon socket bolt	M6*16	With spring washer	60
10	Cap	Φ10		8



Profile Kit				
No.	Name	Specification	Note	QTY
1	Customized Profile	1360mm	Black- With Thread	2

Middle Platform Kit				
No.	Name	Specification	Note	QTY
2	Middle Braket	Width -785mm		1
3	Rear Braket	Width -785mm		1
4	Front Braket	Width -785mm		1
5	Bracket for Surge			1
6	Sliding rail	HGH25-1350mm		2
7	Rod	Φ80-Φ20-53mm		1
8	2" wheels	height 79mm		4
9	Dust Seal	9-5mm		2
10	Light Strip	17-7mm	Three colors	1
11	Light Strip Clip		With Cross Flat bolt M3*5	10
12	Flat head hexagon socket bolt	M6*20		4
13	Hexagon socket bolt	M6*25	With spring washer	8
14	Hexagon socket bolt	M6*16	With spring washer	8
15	Flat head hexagon socket bolt	M8*20	With spring washer & Nuts	4
16	Hexagon socket bolt	M8*16	With spring washer	16
17	Hexagon socket bolt	M8*16	With spring washer & Nuts	2
18	Hexagon socket bolt	M6*25	With spring washer	24



其他配件

No.	Name	Specification	Note	QTY
1	Hexagon socket bolt	M8*16	With spring washer	32
2	Hexagon socket bolt	M8*16	with spring washer & nuts of profile	32
3	Hexagon socket bolt	M6*12	With spring washer	12
4	Axle Sleeve	20.5mm		2
5	Axle Sleeve	6.5mm		2
6	Outer hexagon bolt	M16*70	Nuts	2
7	Hexagon socket bolt	M6*16	With spring washer	16
8	Round head hexagon socket bolt	M8*16	with spring washer & nuts of profile	8
9	Customized bolt	Φ10-6-M8		2
10	Outer hexagon bolt	M16*45	Nuts	1
11	Hexagon socket bolt	M5*12	with spring washer & flat washer	36
12	Cross round head	M4*6		32
13	Handle			2
14	Hexagon socket bolt	M6*16	With spring washer	4

