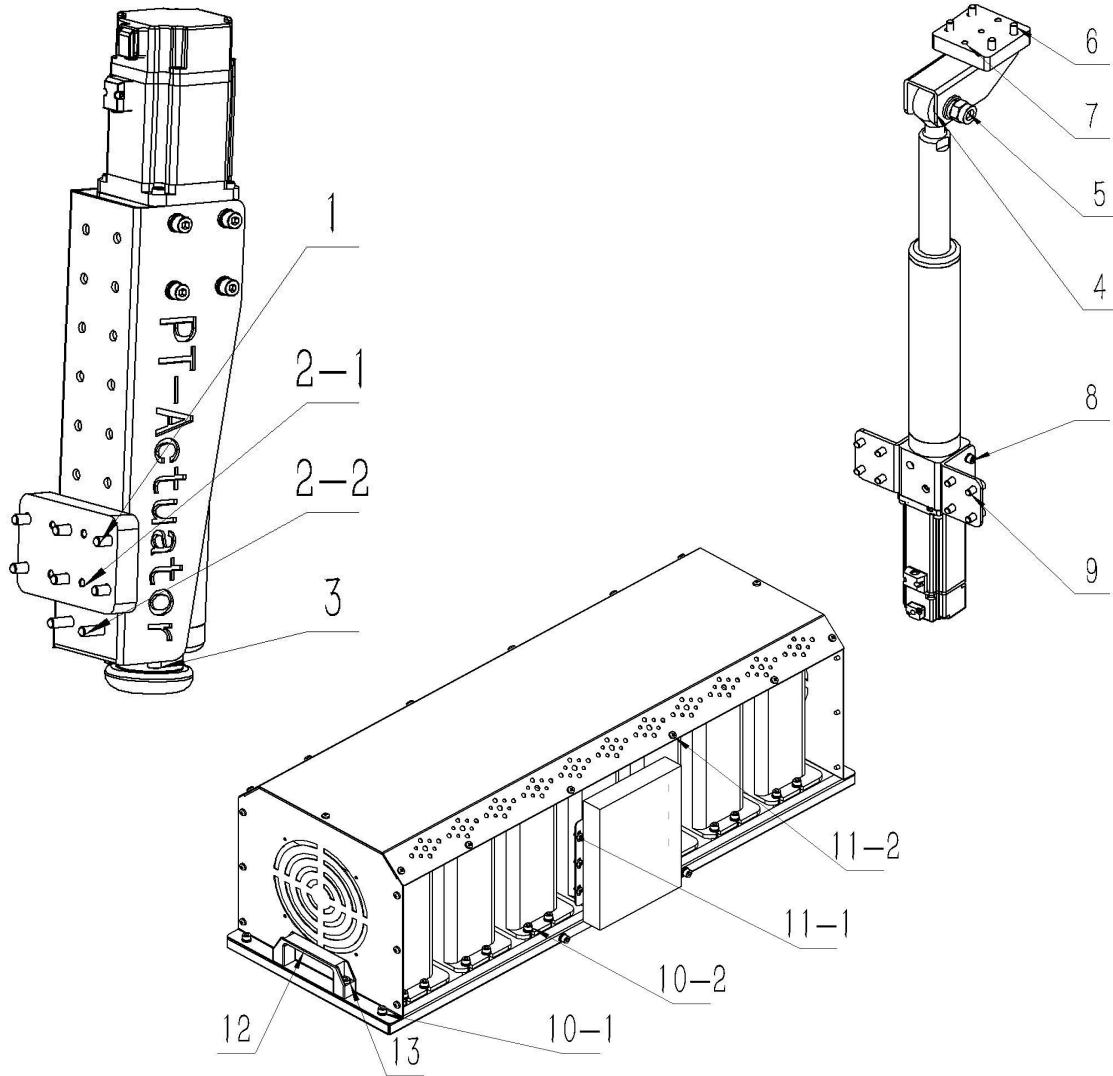


Profile Kit

No.	Name	Specification	Note	QTY
1	40*80L	1400mm	Black	2
2	40*80L	620mm	Black-with threaded holes	2
3	40*80L	500mm	Black-with threaded holes	3

Upper Platform Kit

No.	Name	Specification	Note	QTY
4	Sliding rail	HGH20		2
5	Slider	HGH20CA		8
6	Bracket for slider		With POM plate & shock mount spacer	8
7	block for Sliding rail	HGH20CA		4
8	U Bracket	373*97*87mm		4
9	Matel plate for U bracket	125*80*20mm		4
10	Bracket for surge			2
11	Bracket of fish-eye for surge			1
12	Matel plate of fish-eye for surge	82*80*20mm		1
13	Connector bracket	40*80mm		4
14	End cap for profile	40*80mm	Black	4
15	Hexagon socket bolt	M8*16	with spring washer	32
16	Flat head hexagon socket bolt	M5*10		32
17	Round head hexagon socket bolt	M8*25	with spring washer & flat washer & nuts of profile	16
18	Hexagon socket bolt	M5*20	with spring washer & nuts of profile	24
19	Hexagon socket bolt	M8*20	with spring washer & nuts of profile	16
20	Hexagon socket bolt	M8*85	with spring washer&CapΦ18	12



Other parts

No.	Name	Specification	Note	QTY
1	Hexagon socket bolt	M8*20	with spring washer & nuts of profile	32
2	Hexagon socket bolt	M8*25	with spring washer	32
3	Hexagon socket bolt	M6*12	with spring washer	12
4	Rubber washer			2
5	Outer hexagon bolt	M16*70	with spring washer & flat washer & check nuts	1
6	Hexagon socket bolt	M8*20	with spring washer & nuts of profile	4
7	Hexagon socket bolt	M8*20	with spring washer	3
8	Hexagon socket bolt	M6*16	with spring washer	8
9	Hexagon socket bolt	M8*20	with spring washer & nuts of profile	8
10	Hexagon socket bolt	M5*12	with spring washer & flat washer	36
11	Cross round head	M4*6		32
12	Handle			2
13	Hexagon socket bolt	M16*16	with spring washer	4

