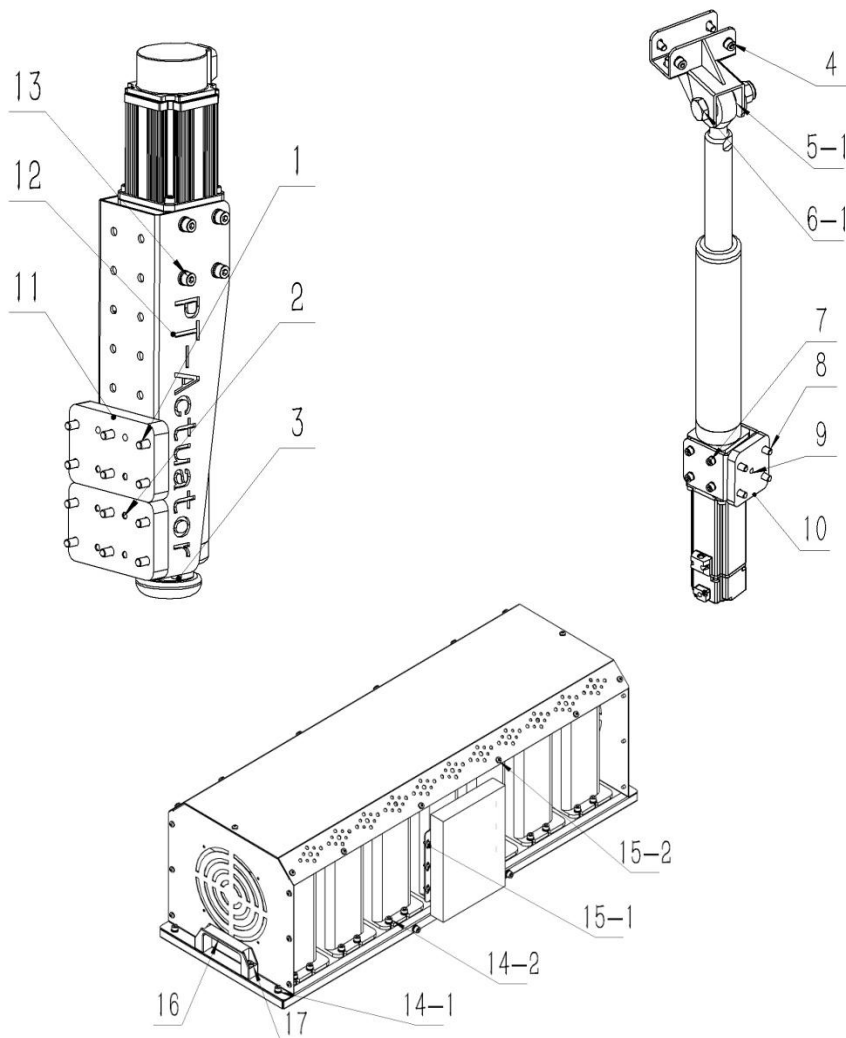
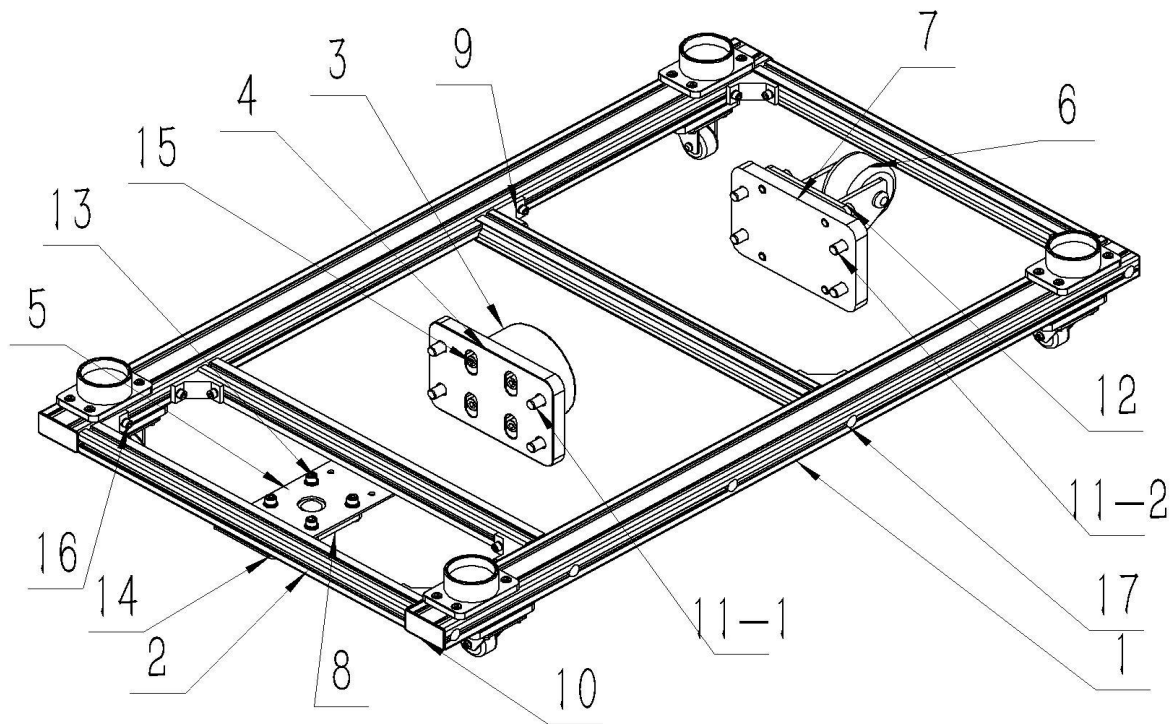


Profile Kit				
No.	Name	Specification	Note	QTY
1	40*40L	1400mm	Black	2
2	40*40L	760mm	Black-with threaded holes	2
3	40*40L	920mm	Black-with threaded holes	2
4	40*80L	920mm	Black-with threaded holes	2
Below Platform Kit				
No.	Name	Specification	Note	QTY
5	Down bracket for rod	280*125*4mm		2
6	Rod	Φ100-Φ35mm		1
7	Bracket of fish-eye for TL			1
8	Bracket for TL			1
9	Wheel support bracket	280*280*4mm		4
10	End cap for profile	40*40mm	Black	4
11	Round head hexagon socket bolt	M8*16	with nuts of profile	16
12	Hexagon socket bolt	M8*20	with spring washer&nuts of profile	4
13	Hexagon socket bolt	M8*25	with spring washer &nuts of profile	4
14	Hexagon socket bolt	M8*45	with spring washer&CapΦ18	12
15	Hexagon socket bolt	M8*85	with spring washer&CapΦ18	4



Other parts

No.	Name	Specification	Note	QTY
1	Hexagon socket bolt	M8*20	with spring washer & nuts of profile	48
2	Hexagon socket bolt	M8*25	with spring washer	32
3	Hexagon socket bolt	M6*12	with spring washer	12
4	Hexagon socket bolt	M8*20	with spring washer & flat washer & nuts of profile	7
5	Rubber washer			7
6	Outer hexagon bolt	M16*70	with spring washer & flat washer & check nuts	1
7	Hexagon socket bolt	M6*16	with spring washer	8
8	Round head hexagon socket bolt	M8*16	with spring washer&nuts of profile	4
9	Customized bolt	Φ10-6-M8		1
10	Rotating aluminum plate			1
11	Matel plate for U bracket	125*80*20mm		8
12	U Bracket	359*97*87mm		4
13	Hexagon socket bolt	M8*16	with spring washer	32
14	Hexagon socket bolt	M5*12	with spring washer & flat washer	36
15	Cross round head	M4*6		32
16	Handle			2
17	Hexagon socket bolt	M16*16	with spring washer	4



Profile Kit				
No.	Name	Specification	Note	QTY
1	40*80L	1400mm	Black	2
2	40*40L	660mm	Black-with threaded holes	4

Middle Platform Kit				
No.	Name	Specification	Note	QTY
3	Cups	Φ78*35-depth18mm		4
4	Matel plate for cups	125*80*12mm		4
5	Upper bracket for rod	280*125*4mm		1
6	2" wheels	mounting height 79mm		4
7	Matel plate for wheels	125*80*12mm		4
8	Bearing	UCF206		1
9	Connector bracket	40*40mm		8
10	End cap for profile	40*80mm	Black	4
11	Hexagon socket bolt	M8*16	with spring washer & nuts of profile	32
12	Hexagon socket bolt	M8*16	with spring washer	16
13	Hexagon socket bolt	M10*35	with nuts & spring washer& flat washer	4
14	Hexagon socket bolt	M8*20	with spring washer &nuts of profile	4
15	Hexagon socket bolt	M6*16	with spring washer	16
16	Hexagon socket bolt	M8*20	with spring washer &nuts of profile	16
17	Hexagon socket bolt	M8*85	with spring washer&CapΦ18	8

