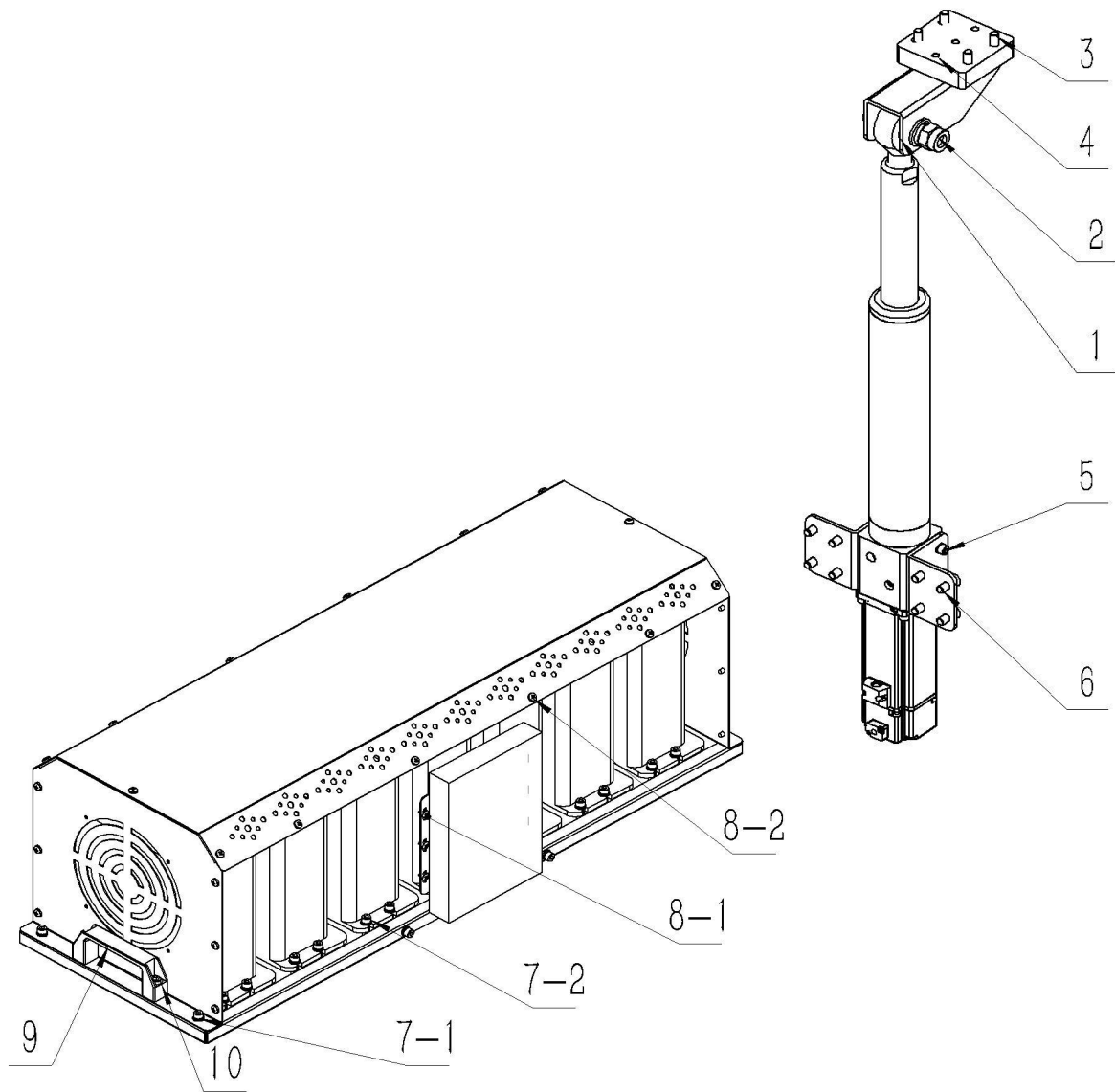


Profile Kit				
No.	Name	Specification	Note	QTY
1	40*80L	1400mm	Black	2
3	40*80L	500mm	Black-with threaded holes	3

Upper Platform Kit				
No.	Name	Specification	Note	QTY
4	Sliding rail	HGH20		2
5	Slider	HGH20CA		8
6	Bracket for slider		With POM plate & shock mount spacer	8
7	block for Sliding rail	HGH20CA		4
8	Bracket for surge			2
9	Bracket of fish-eye for surge			1
10	Matel plate of fish-eye for surge	82*80*20mm		1
11	Connector bracket	40*80mm		4
12	End cap for profile	40*80mm	Black	4
13	Flat head hexagon socket bolt	M5*10		32
14	Round head hexagon socket bolt	M8*25	with spring washer & flat washer & nuts of profile	16
15	Hexagon socket bolt	M5*20	with spring washer & nuts of profile	24
16	Hexagon socket bolt	M8*20	with spring washer & nuts of profile	16
17	Hexagon socket bolt	M8*85	with spring washer&CapΦ18	12



Other parts

No.	Name	Specification	Note	QTY
1	Rubber washer			2
2	Outer hexagon bolt	M16*70	with spring washer & flat washer & check nuts	1
3	Hexagon socket bolt	M8*20	with spring washer & nuts of profile	4
4	Hexagon socket bolt	M8*20	with spring washer	3
5	Hexagon socket bolt	M6*16	with spring washer	8
6	Hexagon socket bolt	M8*20	with spring washer & nuts of profile	8
7	Hexagon socket bolt	M5*12	with spring washer & flat washer	36
8	Cross round head	M4*6		32
9	Handle			2
10	Hexagon socket bolt	M16*16	with spring washer	4

