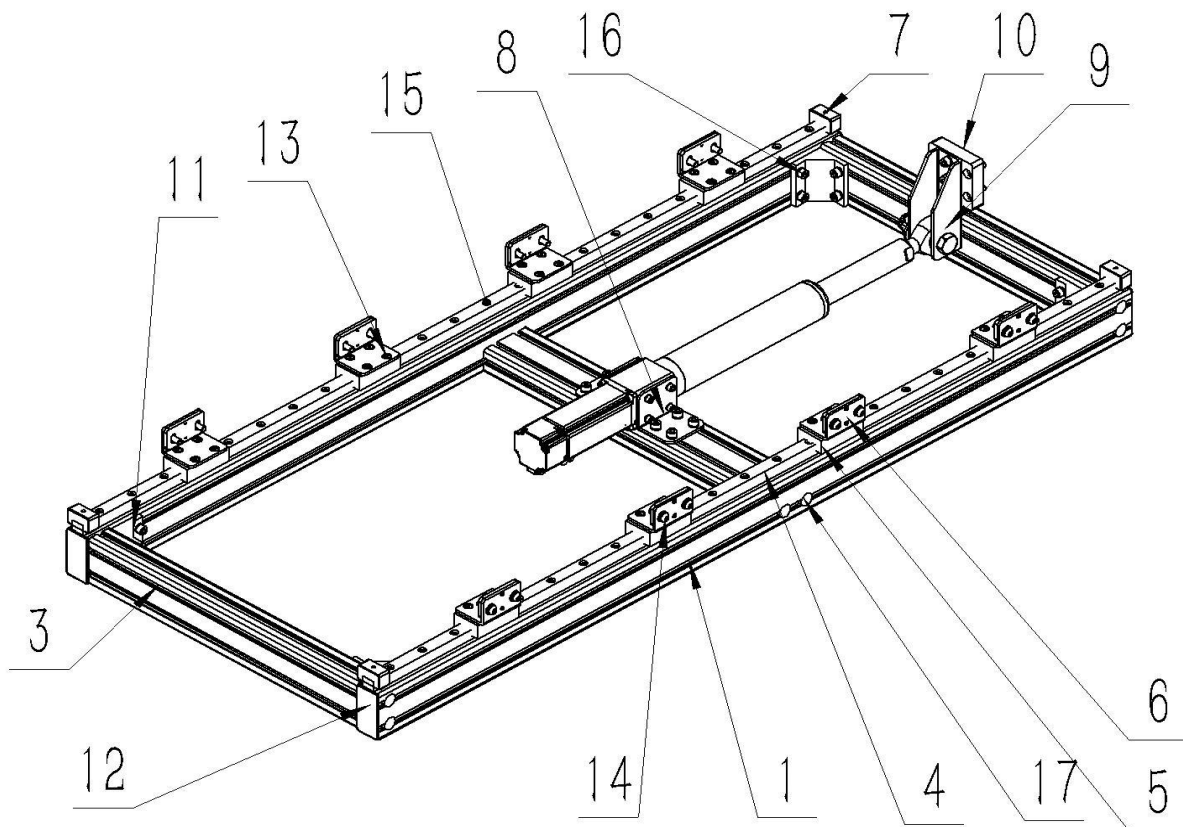
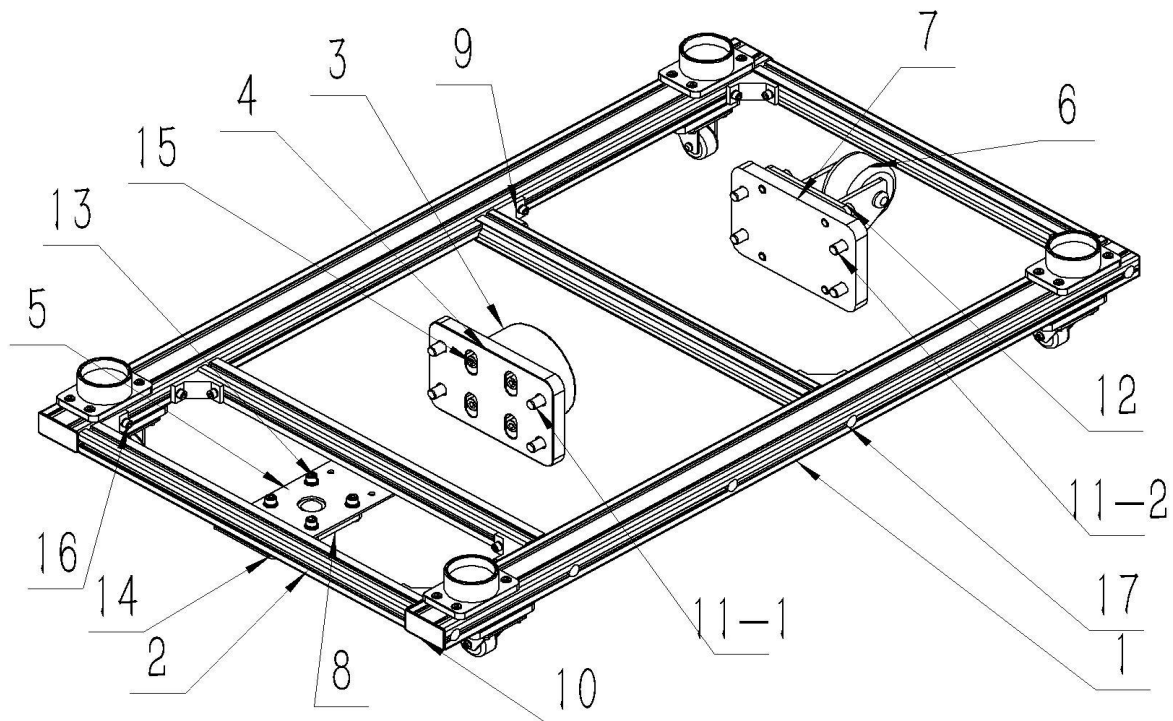


Profile Kit				
No.	Name	Specification	Note	QTY
1	40*40L	1400mm	Black	2
2	40*40L	760mm	Black-with threaded holes	2
3	40*40L	920mm	Black-with threaded holes	2
4	40*80L	920mm	Black-with threaded holes	2
Below Platform Kit				
No.	Name	Specification	Note	QTY
5	Down bracket for rod	280*125*4mm		2
6	Rod	Φ100-Φ35mm		1
7	Bracket of fish-eye for TL			1
8	Bracket for TL			1
9	Wheel support bracket	280*280*4mm		4
10	End cap for profile	40*40mm	Black	4
11	Round head hexagon socket bolt	M8*16	with nuts of profile	16
12	Hexagon socket bolt	M8*20	with spring washer&nuts of profile	4
13	Hexagon socket bolt	M8*25	with spring washer &nuts of profile	4
14	Hexagon socket bolt	M8*45	with spring washer&CapΦ18	12
15	Hexagon socket bolt	M8*85	with spring washer&CapΦ18	4



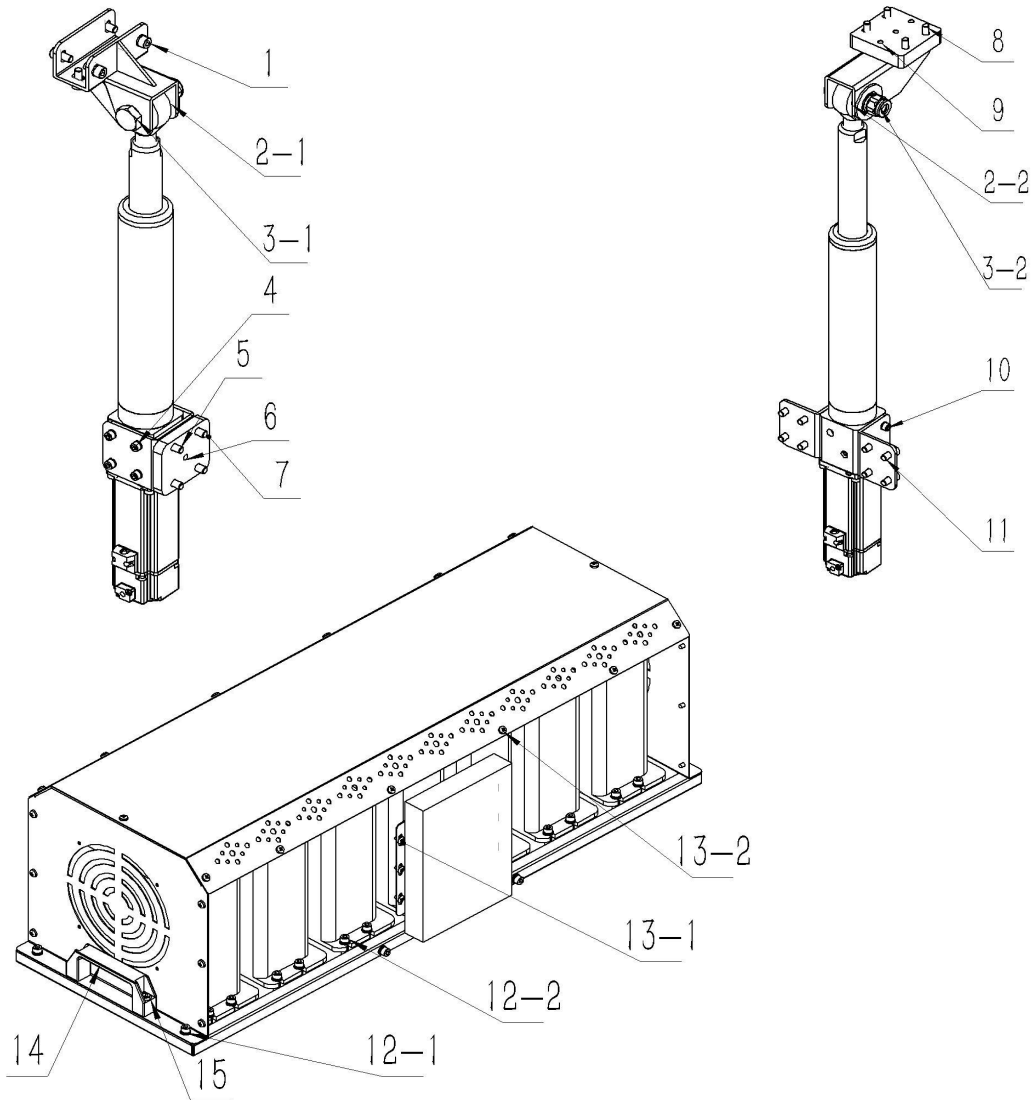
Profile Kit				
No.	Name	Specification	Note	QTY
1	40*80L	1400mm	Black	2
3	40*80L	500mm	Black-with threaded holes	3

Upper Platform Kit				
No.	Name	Specification	Note	QTY
4	Sliding rail	HGH20		2
5	Slider	HGH20CA		8
6	Bracket for slider		With POM plate & shock mount spacer	8
7	block for Sliding rail	HGH20CA		4
8	Bracket for surge			2
9	Bracket of fish-eye for surge			1
10	Matel plate of fish-eye for surge	82*80*20mm		1
11	Connector bracket	40*80mm		4
12	End cap for profile	40*80mm	Black	4
13	Flat head hexagon socket bolt	M5*10		32
14	Round head hexagon socket bolt	M8*25	with spring washer & flat washer & nuts of profile	16
15	Hexagon socket bolt	M5*20	with spring washer & nuts of profile	24
16	Hexagon socket bolt	M8*20	with spring washer & nuts of profile	16
17	Hexagon socket bolt	M8*85	with spring washer&CapΦ18	12



Profile Kit				
No.	Name	Specification	Note	QTY
1	40*80L	1400mm	Black	2
2	40*40L	660mm	Black-with threaded holes	4

Middle Platform Kit				
No.	Name	Specification	Note	QTY
3	Cups	Φ78*35-depth18mm		4
4	Matel plate for cups	125*80*12mm		4
5	Upper bracket for rod	280*125*4mm		1
6	2" wheels	mounting height 79mm		4
7	Matel plate for wheels	125*80*12mm		4
8	Bearing	UCF206		1
9	Connector bracket	40*40mm		8
10	End cap for profile	40*80mm	Black	4
11	Hexagon socket bolt	M8*16	with spring washer & nuts of profile	32
12	Hexagon socket bolt	M8*16	with spring washer	16
13	Hexagon socket bolt	M10*35	with nuts & spring washer	4
14	Hexagon socket bolt	M8*20	with spring washer &nuts of profile	4
15	Hexagon socket bolt	M6*16	with spring washer	16
16	Hexagon socket bolt	M8*20	with spring washer &nuts of profile	16
17	Hexagon socket bolt	M8*85	with spring washer&CapΦ18	8



Other parts

No.	Name	Specification	Note	QTY
1	Hexagon socket bolt	M8*20	with spring washer & flat washer & nuts of profile	7
2	Rubber washer			4
3	Outer hexagon bolt	M16*70	with spring washer & flat washer & check nuts	2
4	Hexagon socket bolt	M6*16	with spring washer	8
5	Round head hexagon socket bolt	M8*16	with spring washer&nuts of profile	4
6	Customized bolt	Φ10-6-M8		1
7	Rotating aluminum plate			1
8	Hexagon socket bolt	M8*20	with spring washer & nuts of profile	4
9	Hexagon socket bolt	M8*20	with spring washer	3
10	Hexagon socket bolt	M6*16	with spring washer	8
11	Hexagon socket bolt	M8*20	with spring washer &nuts of profile	8
12	Hexagon socket bolt	M5*12	with spring washer & flat washer	36
13	Cross round head	M4*6		32
14	Handle			2
15	Hexagon socket bolt	M16*16	with spring washer	4

