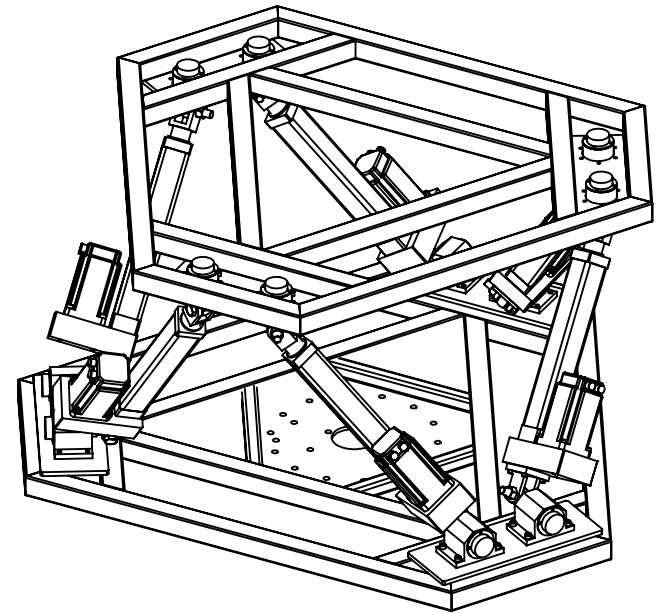


Heave (disp/vel/accel) $\pm 150\text{mm}, \pm 250\text{mm/s}, \pm 5\text{mm/s}^2$
 Pitch (disp/vel/accel) $\pm 20^\circ, \pm 30^\circ/\text{s}, \pm 250^\circ/\text{s}^2$
 Roll (disp/vel/accel) $\pm 23^\circ, \pm 30^\circ/\text{s}, \pm 250^\circ/\text{s}^2$
 Yaw (disp/vel/accel) $\pm 20^\circ, \pm 30^\circ/\text{s}, \pm 250^\circ/\text{s}^2$
 Surge (disp/vel/accel) $\pm 360\text{mm}, \pm 250\text{mm/s}, \pm 5\text{mm/s}^2$
 Sway (disp/vel/accel) $\pm 360\text{mm}, \pm 250\text{mm/s}, \pm 5\text{mm/s}^2$

Dynamic load 500Kg

$\varnothing 1500$

$\varnothing 1300$



PROPRIETARY AND CONFIDENTIAL
 THE INFORMATION CONTAINED IN THIS DRAWING IS THE SOLE PROPERTY OF <INSERT COMPANY NAME HERE>. ANY REPRODUCTION IN PART OR AS A WHOLE WITHOUT THE WRITTEN PERMISSION OF <INSERT COMPANY NAME HERE> IS PROHIBITED.

		DIMENSIONS ARE IN INCHES TOLERANCES: FRACTIONAL \pm ANGULAR: MACH \pm BEND \pm TWO PLACE DECIMAL \pm THREE PLACE DECIMAL \pm		NAME	DATE	PT-Actuator	
		MATERIAL --		DRAWN		6 DOF System for DAKCO USA	
		FINISH --		CHECKED			
NEXT ASSY	USED ON			ENG APPR.			
APPLICATION		DO NOT SCALE DRAWING		MFG APPR.			
				Q.A.			
				COMMENTS:		SIZE	DWG. NO.
						A	
						SCALE:1:50	WEIGHT:
						SHEET 1 OF 1	