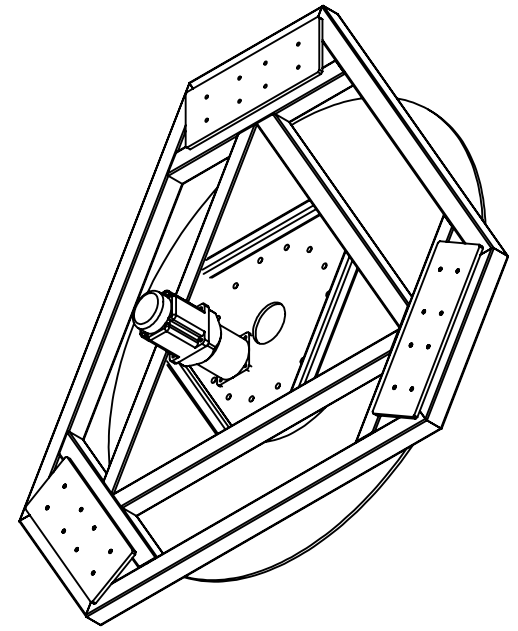
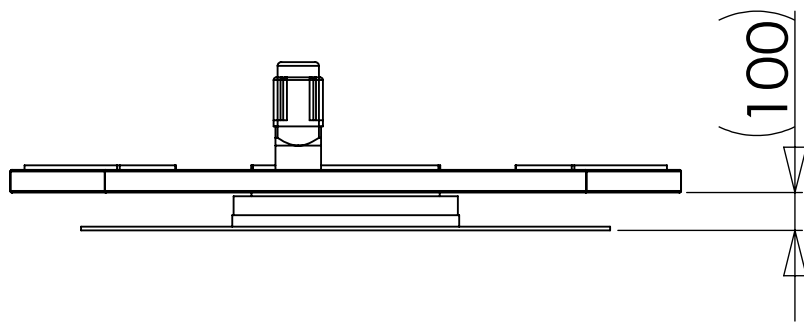


Roll (disp/vel/accel) $\pm 180^\circ, \pm 30^\circ/s, \pm 250^\circ/s^2$



PROPRIETARY AND CONFIDENTIAL
 THE INFORMATION CONTAINED IN THIS DRAWING IS THE SOLE PROPERTY OF <INSERT COMPANY NAME HERE>. ANY REPRODUCTION IN PART OR AS A WHOLE WITHOUT THE WRITTEN PERMISSION OF <INSERT COMPANY NAME HERE> IS PROHIBITED.

		DIMENSIONS ARE IN INCHES		NAME	DATE	PT-Actuator		
		TOLERANCES:		DRAWN				
		FRACTIONAL \pm		CHECKED		Rotation plate		
		ANGULAR: MACH \pm BEND \pm		ENG APPR.				
		TWO PLACE DECIMAL \pm		MFG APPR.				
		THREE PLACE DECIMAL \pm		Q.A.				
		MATERIAL		COMMENTS:				
		FINISH						
NEXT ASSY	USED ON					SIZE	DWG. NO.	REV.
APPLICATION		DO NOT SCALE DRAWING				A		
						SCALE:1:50	WEIGHT:	SHEET 1 OF 1