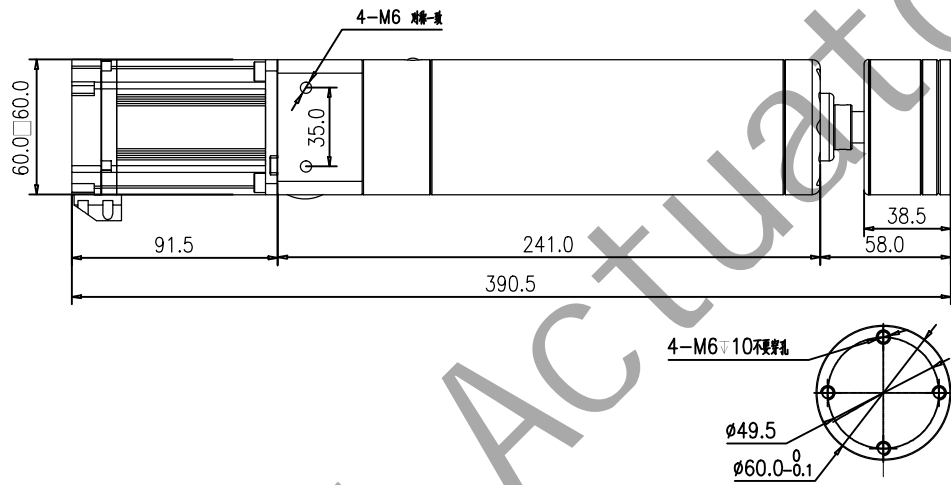
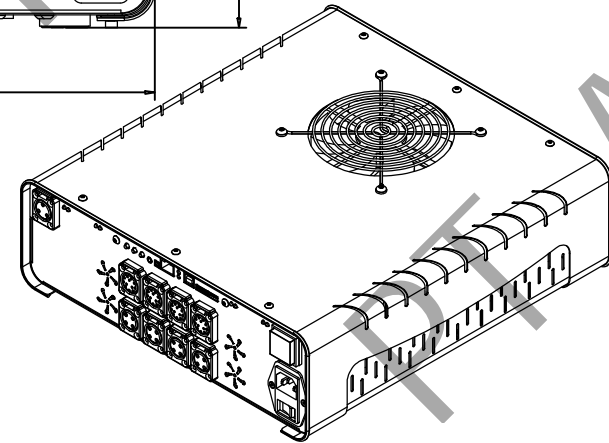
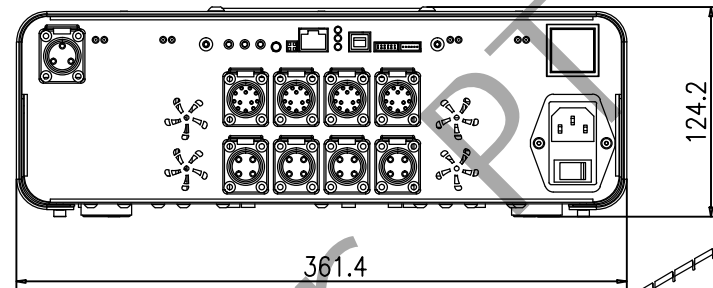


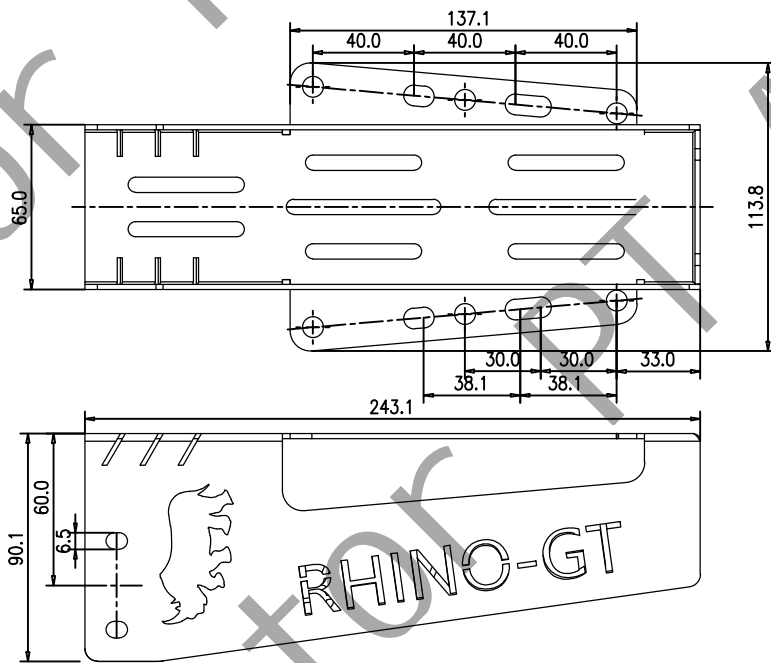
PT ACTUATOR



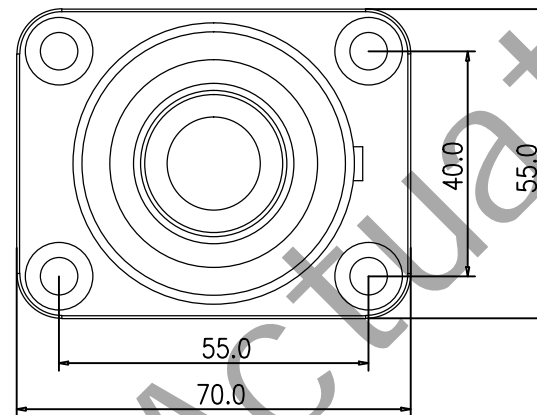
RHINO-GT



383*361.4*124.2 (MM)



Support spacing 30MM&40MM&1.5IN Profile



70*55*58.5 (MM)

