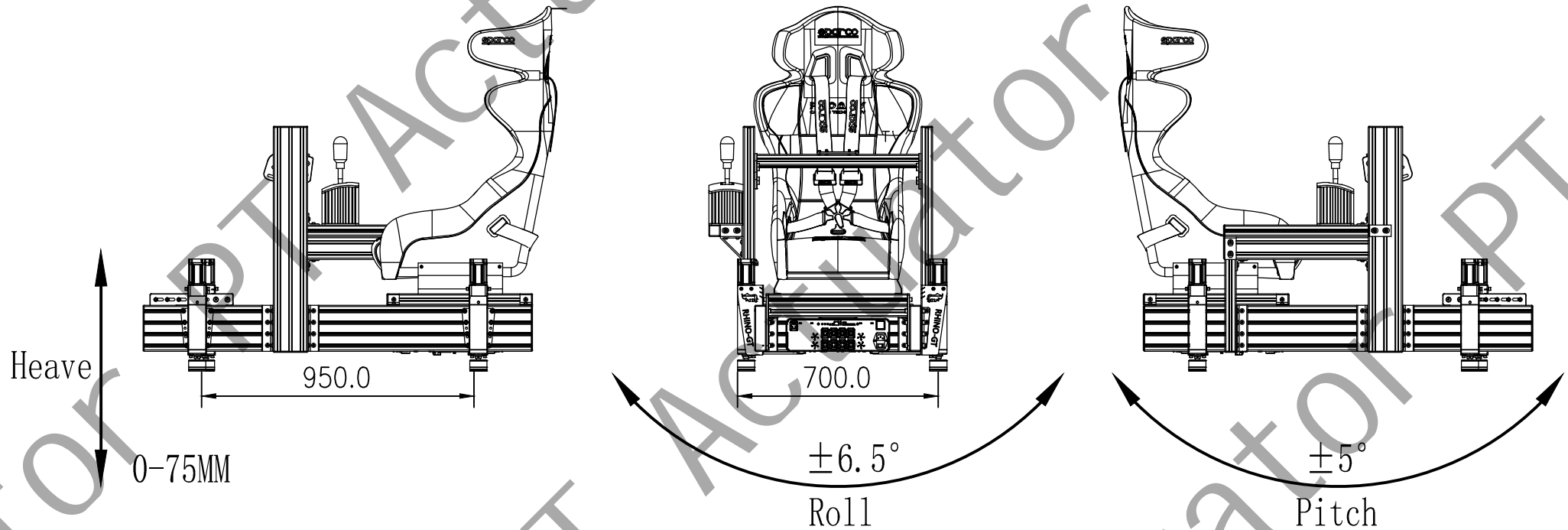


PT ACTUATOR



Specification.

Heave (disp/vel) 0-75 mm, 250 mm/s

Pitch (disp/vel) $\pm 5^\circ$, $\pm 10^\circ$ /s

Roll (disp/vel) $\pm 6.5^\circ$, $\pm 16^\circ$ /s

Payload max 320 Kg (110V-230V)

Rhino-GT System Net Weight 31 kg / 68 lbs