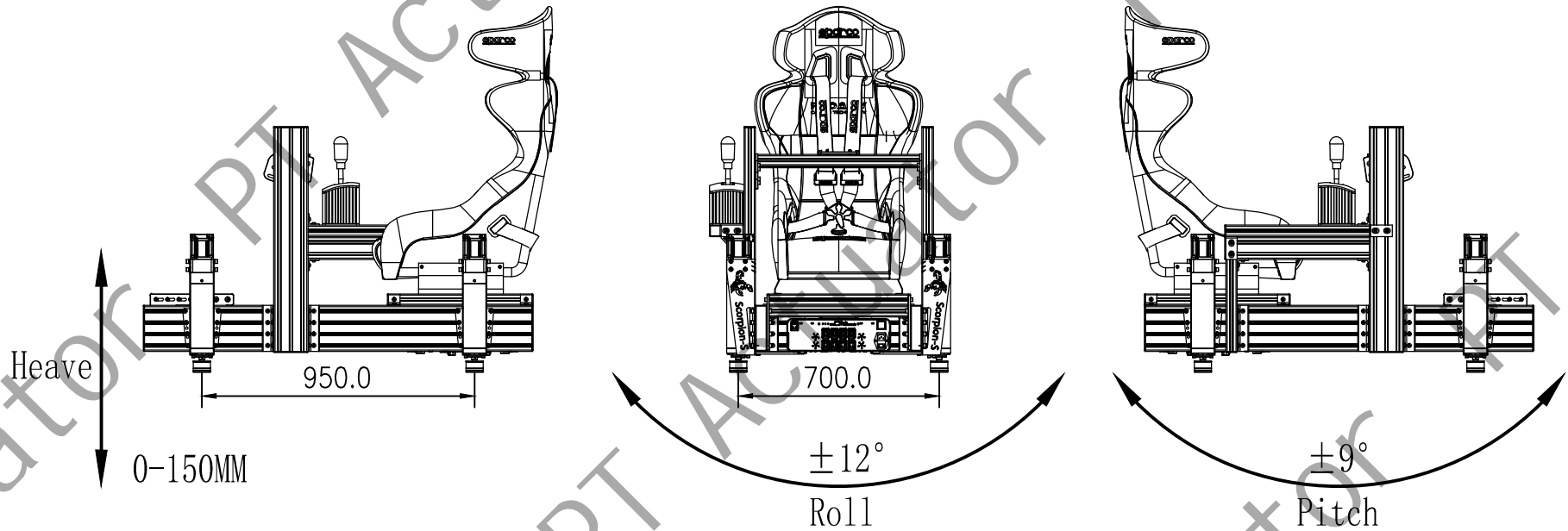


PT ACTUATOR



Specification.

Heave (disp/vel) 0-150 mm, 250 mm/s

Pitch (disp/vel) $\pm 9^\circ$, $\pm 25^\circ$ /s

Roll (disp/vel) $\pm 12^\circ$, $\pm 35^\circ$ /s

Payload max 500 Kg (110V-230V)

Scorpion-S System Net Weight 48 kg / 105 lbs